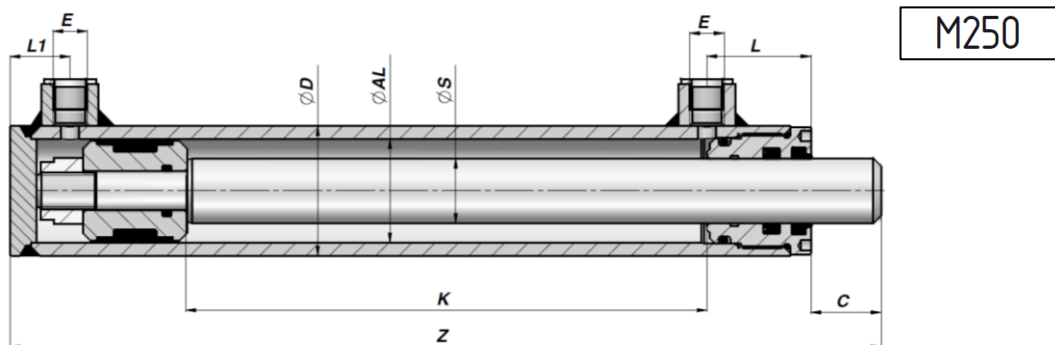


Hydra-Comp

HM0 cylinder Ø100/50



Dobbeltvirkende / Double acting

Max hastighed / Max speed: 0,5m/s

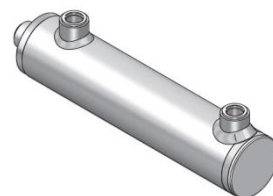
Arbejdstryk / Work pressure: 200 Bar

Spidstryk / Peak pressure: 250Bar

Temperatur / Temperature: -25°C - +80°C

Stempelstang / Piston rod: UNI C45 steel SAE 1045with 25µ +/-5 hard chrome

Rør / Tube: st 52-3 DIN 2393 ISO H9



Codice Code Bestell-Nr.	K	Z	kg	E BSP	L	L1	C
ØD 115 ØAL 100 ØS 50							
HM06500200	200	410	19,50	1/2"	82	38	25
HM06500250	250	460	21,50				
HM06500300	300	510	23,00				
HM06500400	400	610	26,50				
HM06500500	500	710	30,00				
HM06500600	600	810	33,50				
HM06500800	800	1010	40,50				
HM06501000	1000	1210	47,50				

www.hydra-comp.com

Bjørnevej 30 • DK-7800 Skive • Phone +45 96694080 • Fax +45 96694081 • mail@hydra-comp.dk