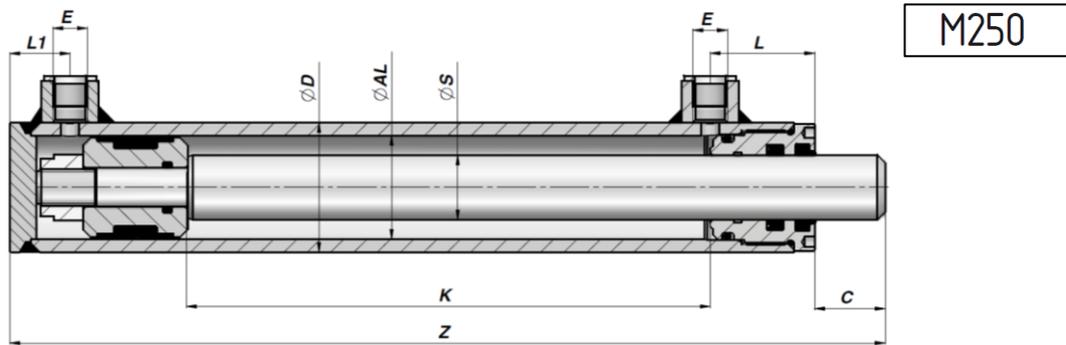


# Hydra-Comp

## HM0 cylinder Ø100/60



Dobbeltvirkende / Double acting

Max hastighed / Max speed: 0,5m/s

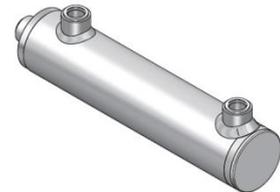
Arbejdstryk / Work pressure: 200 Bar

Spidstryk / Peak pressure: 250Bar

Temperatur / Temperature: -25°C - +80°C

Stempelstang / Piston rod: UNI C45 steel SAE 1045with 25µ +/-5 hard chrome

Rør / Tube: st 52-3 DIN 2393 ISO H9



Codice Code Bestell-Nr.	K	Z	kg	E BSP	L	L1	C
<b>ØD 115    ØAL 100    ØS 60</b>							
HM06600300	300	510	25,50	1/2"	82	38	25
HM06600400	400	610	29,50				
HM06600500	500	710	33,50				
HM06600600	600	810	37,50				
HM06600800	800	1010	46,00				
HM06601000	1000	1210	54,50				