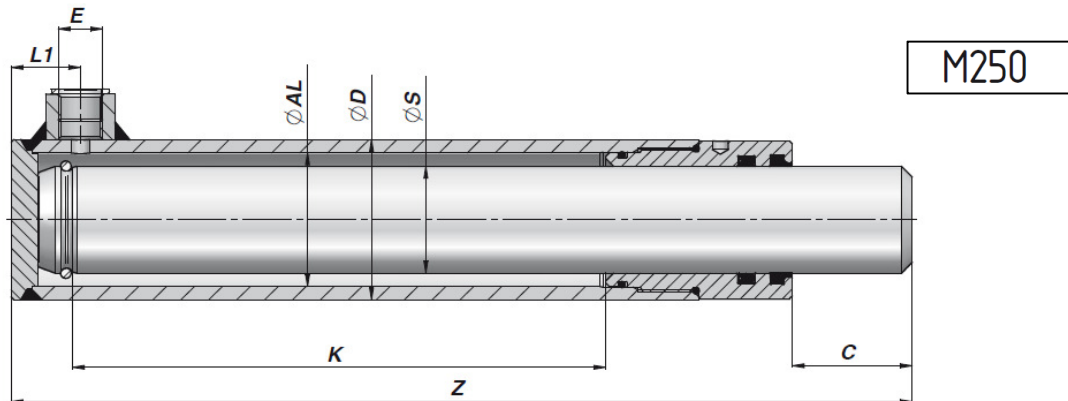


# Hydra-Comp

## HT0 plunger cylinder Ø30



Enkeltvirkende / Singel acting

Max hastighed / Max speed: 0,5m/s

Arbejdstryk / Work pressure: 200 Bar

Spidstryk / Peak pressure: 250Bar

Temperatur / Temperature: -25°C - +80°C

Stempelstang / Piston rod: UNI C45 steel SAE 1045with 25µ +/-5 hard chrome

Rør / Tube: st 52-3 DIN 2393 ISO H9



Codice Code Bestell-Nr.	K	Z	kg	E BSP	L1	C
	<b>ØD 50</b>	<b>ØAL 40</b>	<b>ØS 30</b>			
HT02300200	200	326	3,64	3/8"	23	40
HT02300250	250	376	4,19			
HT02300300	300	426	4,75			
HT02300350	350	476	5,31			
HT02300400	400	526	5,86			
HT02300500	500	626	6,96			