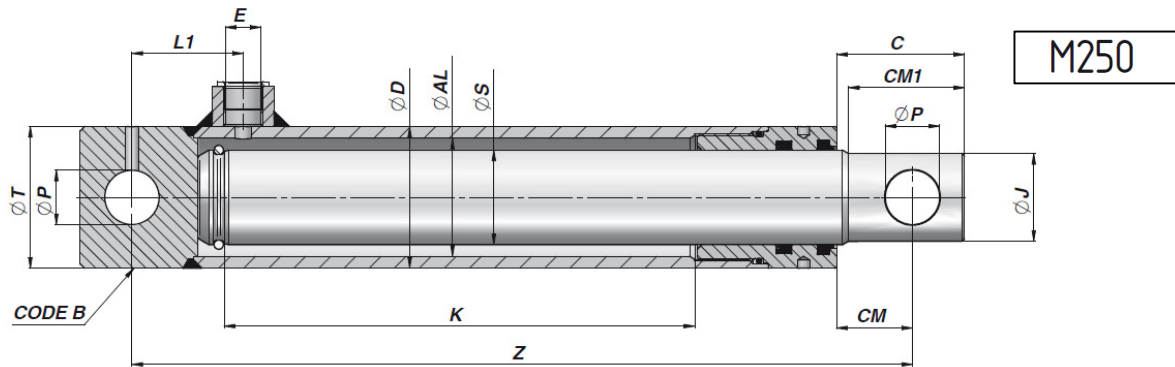


Hydra-Comp

HFRT plunger cylinder Ø25



Enkeltvirkende / Singel acting

Max hastighed / Max speed: 0,5m/s

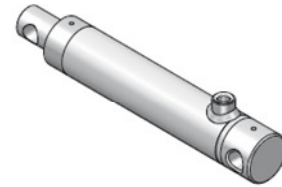
Arbejdstryk / Work pressure: 140 Bar

Spidstryk / Peak pressure: 250Bar

Temperatur / Temperature: -25°C - +80°C

Stempelstang / Piston rod: UNI C45 steel SAE 1045with 25 μ +/-5 hard chrome

Rør / Tube: st 52-3 DIN 2393 ISO H9



| Codice Code Bestell-Nr. | K | Z | kg | E BSP | L1 | $\varnothing P$ | CM | C | $\varnothing J$ | CM1 | $\varnothing T$ |
|-------------------------------|--------------------------------------|---------------------------------------|--------------------------------------|----------|----|-----------------|----|----|-----------------|-----|-----------------|
| | $\varnothing D$ 40 | $\varnothing AL$ 30 | $\varnothing S$ 25 | | | | | | | | |
| HFRT125100 | 100 | 190 | 1,63 | | | | | | | | |
| HFRT125150 | 150 | 240 | 2,04 | | | | | | | | |
| HFRT125200 | 200 | 290 | 2,44 | 3/8" | 40 | 14 | 24 | 38 | 22 | 35 | 40 |
| HFRT125250 | 250 | 340 | 2,85 | | | | | | | | |
| HFRT125300 | 300 | 390 | 3,26 | | | | | | | | |