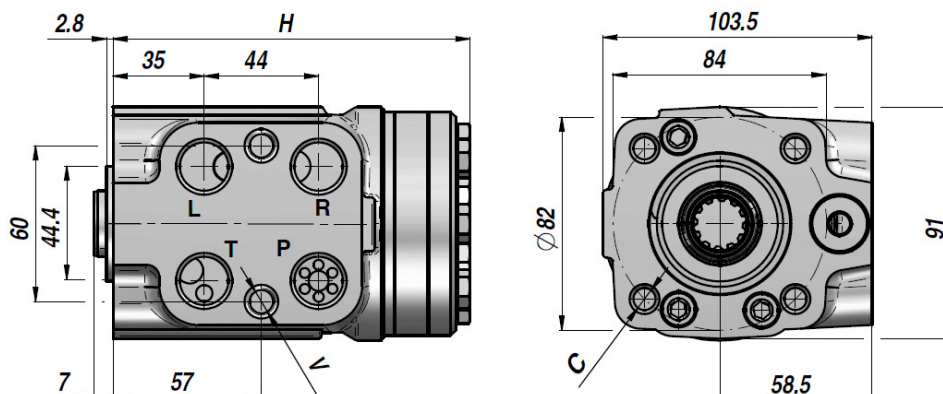


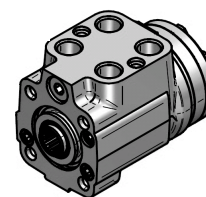
Hydrostatisk styring



HKUS 4

Hydraulisk styreenhed, åben center med ventiler

Hydraulic steering unit, open center with valves



Codice Code Bestell-Nr.	Tipo Type Typ	cm ³ /giro cm ³ /rev cm ³ /U	VMP RF DBV bar	VAS SV SV bar	P MAX bar	P-T R-L BSP	V (x 2)	C (x 4)	H	kg
DHKUS04410	HKUS 40/4/100	39,6			140				130,8	5,30
DHKUS05410	HKUS 50/4/100	49,5			140				132,2	5,40
DHKUS06410	HKUS 63/4/100	65,6			170				133,9	5,50
DHKUS08410	HKUS 80/4/100	79,2			170				136,2	5,60
DHKUS10410	HKUS 100/4/100	99,0			170				138,8	5,70
DHKUS12410	HKUS 125/4/100	123,8	100	160	170	1/2"	M10x1	M10	142,2	5,80
DHKUS16410	HKUS 160/4/100	158,4			170				146,8	6,00
DHKUS20410	HKUS 200/4/100	198,0			170				152,2	6,30
DHKUS25410	HKUS 250/4/100	247,5			170				158,8	6,50
DHKUS32410	HKUS 320/4/100	316,8			170				168,2	7,00
DHKUS40410	HKUS 400/4/100	396,0			170				178,8	7,40
DHKUS50410	HKUS 500/4/100	495,0			170				192,0	8,00

VALVOLE INCORPORATE: VALVOLA NON RITORNO + VALVOLA LIMITATRICE DI PRESSIONE (VMP) + VALVOLA ANTICAVITAZIONE + VALVOLA ANTI-SHOCK (VAS)

BUILT-IN VALVES: CHECK VALVE + RELIEF VALVE (RF) + ANTICAVITATION VALVES + SHOCK VALVES (SV)

EINGEBAUTE VENTILE: RÜCKSCHLAGVENTIL + DB VENTIL (DBV) + ANTI-KAVITATIONSVENTIL + SCHOCKVENTIL (SV)